

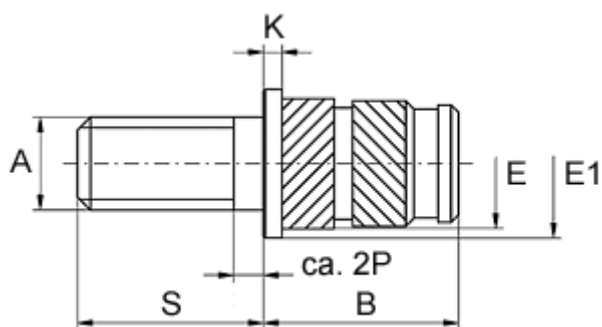
# Data Sheet



Article number: 12867000030840  
Description: KLEE-coil 867 000 030.840  
M3 Brass

## Measures

---



Flange diameter E1	= 5.6
Flange height	= 0.6
Male thread A	= M3x0,5
Min distance to edge W	= 2.3
Mounting length B	= 6.4
Outer diameter E	= 4.6
Pin length S	= 10
Recommended bore diameter W +0.1	= 4.0